

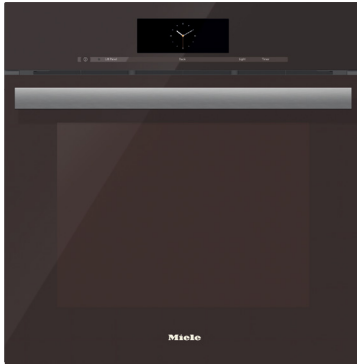
PureLine Truffle Brown Combi-Steam Oven XXL

DGC 6860 XXL HVBR



PureLine Combi-Steam Oven

DGC 6860 XXL HVBR



DGC 6860 XXL HVBR

Features:

- Class leading capacity with 41% more space than XL (with 4 shelf levels)
- M Touch innovative and revolutionary controls are both easy-to-operate and navigate
- MultiSteam technology delivers powerful external steam generation and optimum steam distribution via 6 inlet ports
- Wired roast probe for perfect roasting
- 3-in-1 appliance
 1. True European convection oven
 2. Steam oven
 3. Combination of steam and convection oven
- MasterChef and MasterChef Gourmet menus offer over 100 food types to cook to perfection
- Lift up control panel conceals water and condensate container (both containers are dishwasher safe)
- Clean Glass door for easy clean-up

SPECIFICATIONS

DGC 6860 XXL HVBR— Item 23686003USA

Overall Fascia Dimensions 23⁷/₁₆" (595 mm) W x 23⁷/₁₆" (595 mm) H x 7⁷/₈" (22 mm) D

Overall Unit Width - Excluding Fascia Dimension 21⁹/₁₆" (548 mm)

Overall Unit Height - Excluding Fascia Dimension 23¹/₄" (590 mm)

Overall Unit Depth - Excluding Fascia Dimension 22³/₈" (567 mm)

Built-In

Minimum Cabinet Width 22¹/₁₆" (560 mm)

Minimum Cabinet Depth 22¹/₂" (572 mm)

Minimum Opening Height 23³/₈" (593 mm)

Additional Cut-Outs Required Venting cut-out required
19¹¹/₁₆" x 1⁹/₁₆" (500 mm x 40 mm)

Electrical

Electrical Requirements 208/240V, 60Hz, 20A

Power Cord Molded plug - NEMA 6-20 power cord
6' 6³/₄" (2 m)

Shipping

Shipping Weight 135 lbs (61 kg)

Shipping Dimensions 28⁷/₈" W x 28³/₈" H x 26⁵/₈" L

Support

Call Miele 800.843.7231

Miele Website www.mieleusa.com

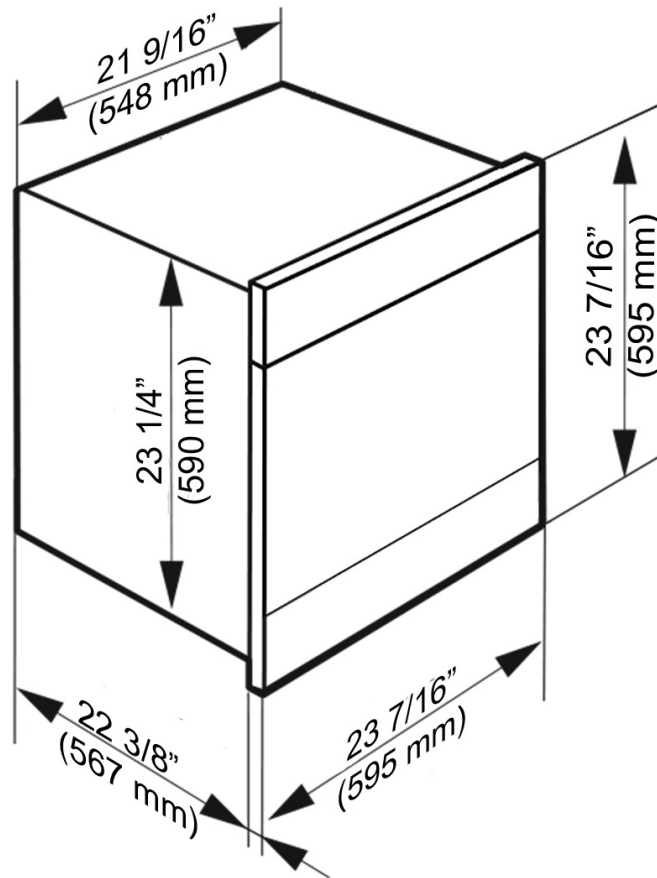
20/20 Link 2020technologies.com

PureLine Combi-Steam Oven DGC 6860 XXL HVBR



PRODUCT SPECIFICATIONS

Isometric View

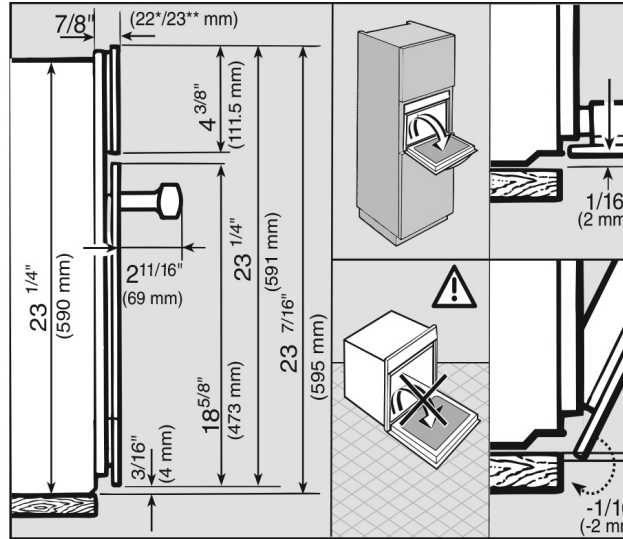


PureLine Combi-Steam Oven DGC 6860 XXL HVBR



INSTALLATION SPECIFICATIONS

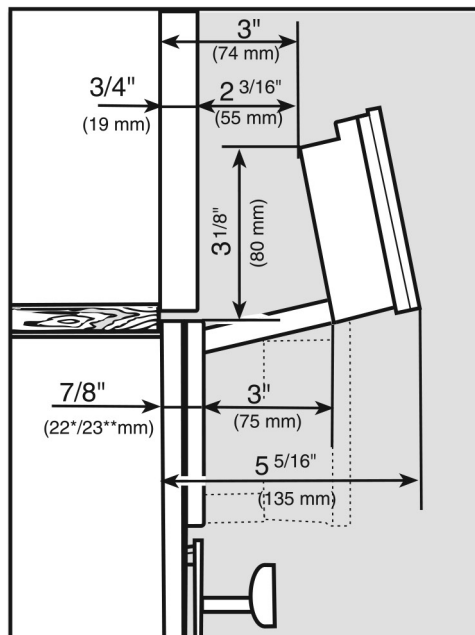
Door Swing Detail



* Glass front / ** Metal front

Lift Panel Side View

The area in front of the control panel must not be blocked by anything (such as a door handle) that would hinder it from opening and closing.



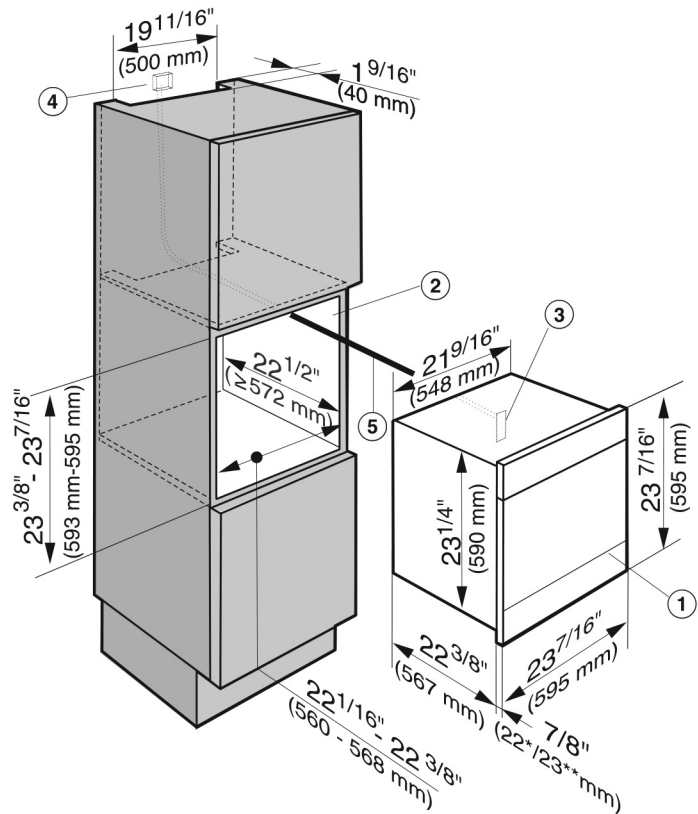
* Glass front / ** Metal front

PureLine Combi-Steam Oven DGC 6860 XXL HVBR



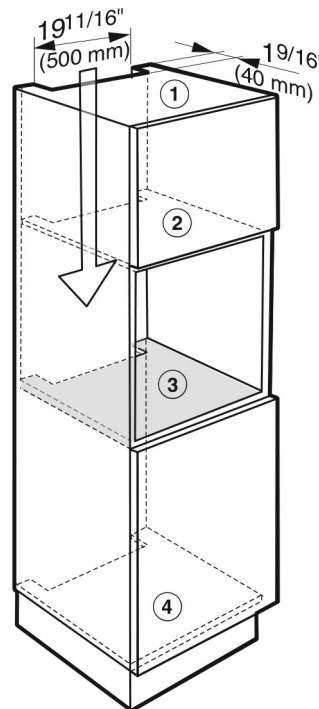
INSTALLATION SPECIFICATIONS

Tall Cabinet Installation



- ① Steam oven
 - ② Niche
 - ③ Pass-through for the power cord
 - ④ Recommended position for electrical outlet
 - ⑤ Power cord, L = 78 3/4" (2,000 mm)
- * Glass front / ** Metal front

Tall Cabinet Installation — Venting and/or Plumbing Requirements



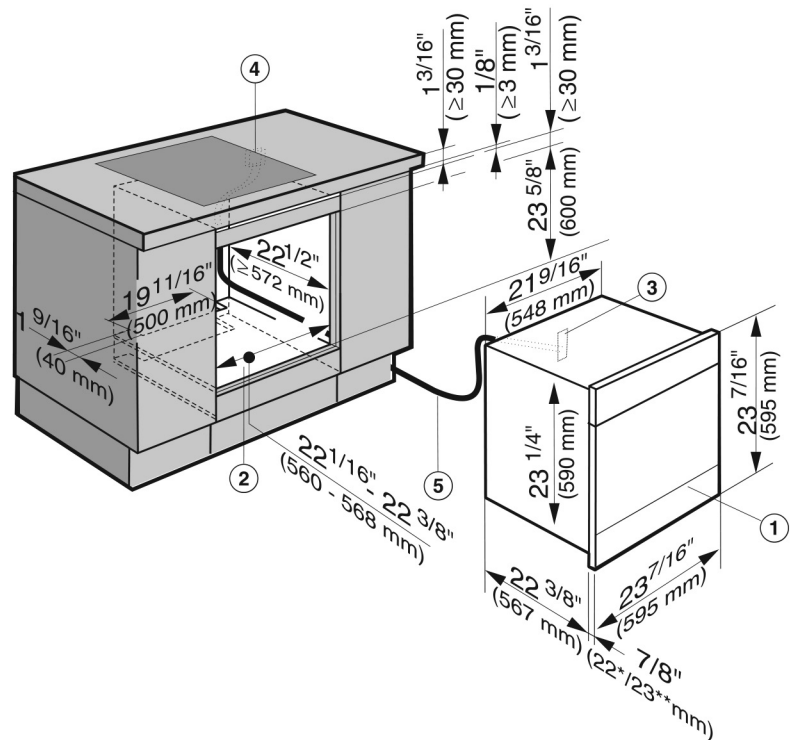
- ① Cut-out in top of unit (ventilation)
- ② Cut-out in the interim shelf above the building-in niche (for ventilation)
- ③ Cut-out in the interim shelf below the building-in niche (plumbing)
- ④ Cut-out in unit floor (plumbing)

PureLine Combi-Steam Oven DGC 6860 XXL HVBR



INSTALLATION SPECIFICATIONS

Undercounter Installation

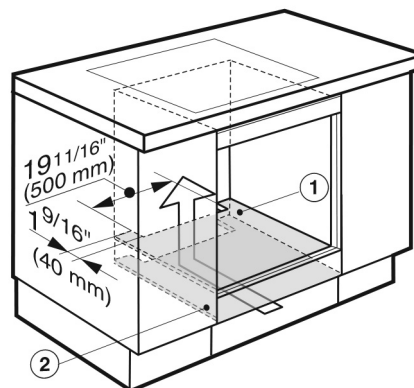


- ① Steam oven
- ② Niche
- ③ Pass-through for the power cord
- ④ Recommended position for electrical outlet
- ⑤ Power cord, L = 78 3/4" (2,000 mm)

* Glass front / ** Metal front

When building the appliance into a base unit underneath a cooktop, please also observe the installation instructions for the cooktop and its respective installation depth (see the installation instructions for the cooktop).

Undercounter Installation— Venting Requirements



To ensure that the Combi Steam Oven has adequate ventilation, the following cut-outs measuring 19 11/16" x 1 9/16" (500 x 40 mm) must be made:

- ① in the appliance support base
- ② in the bottom of the cabinet space below

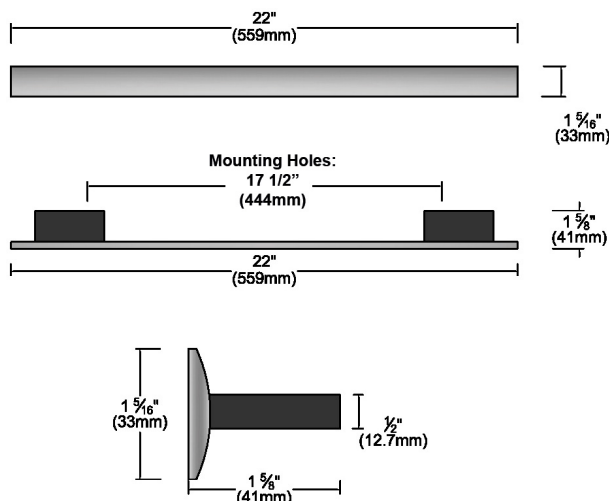
The cabinet housing must not have a back panel fitted behind the installation niche.

PureLine Combi-Steam Oven DGC 6860 XXL HVBR



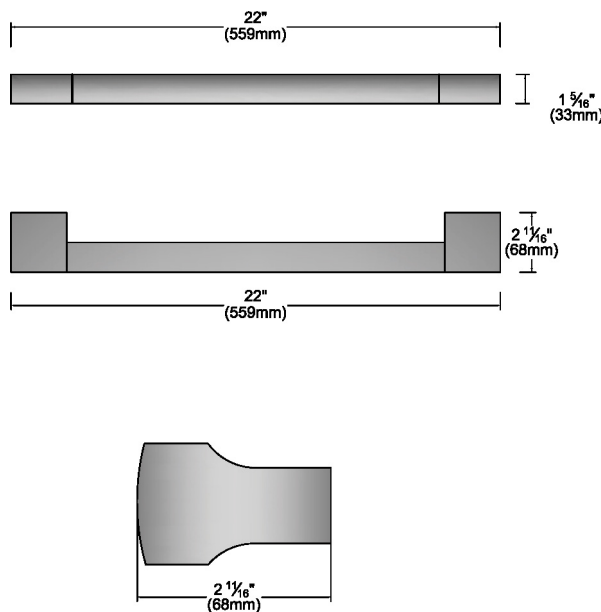
HANDLE DETAILS

All Miele Signature And PureLine
Handle Dimensions



Please note hinges may require adjusting or replacing when changing from a ContourLine Handle to a PureLine or Miele Signature Handle.

All ContourLine Handle
Dimensions



Please note hinges may require adjusting or replacing when changing from a PureLine or Miele Signature Handle to a ContourLine Handle.